

NOVA Wood meeting and coffee tables



FEATURES

- Easy to assemble and disassemble - “metal to metal” construction
- Just one tool for assembling (DIN911 S5)
- Bolted connections (without screws)

QUALITY STANDARD

- LST EN 527-1:2011
- LST EN 527-2:2017
- LST EN 1730:2012

TECHNICAL INFORMATION

Tabletop

- 25 mm MFC (melamine) with 2 mm ABS edging;
- 26 mm MDF covered in HPL with sloping painted edges;
- Sloping painted edges: white or black colour;
- The corners of sloping desktop are rounded: R100 mm;
- 10 mm gap between the legs and the desktop.

Metal beam

- Metal tube - 40x20 mm;
- With welded metal plates for leg fixing;
- Powder coated metal.

Legs (meeting tables)

- Lacquered and stained natural ash solid wood;
- Glued wood construction;
- With metal inserts for fixing;
- Plastic feet with height levelling (+10 mm).

Central leg (solid wood leg fixed into metal tube)

- Lacquered and stained natural ash solid wood;
- Glued wood construction;
- With metal inserts for fixing;
- Plastic feet with height levelling (+10 mm);
- Metal tube: 120x40 mm, powder coated metal.

Legs (coffee tables)

- Lacquered and stained natural ash solid wood;
- Glued wood construction;
- Powder coated metal;
- Plastic feet with height levelling (+10 mm).



Electrical and cable management



With power sockets



With insert and power sockets
With insert and



grommets for wire management

Edge type



ABS edge (melamine)



Sloping edge (HPL)

Inserts

- Lacquered and stained;
- 25 mm chipboard covered in ash wood veneer with 1.5mm edging (for plain edges desktops);
- 26mm MDF covered in ash wood veneer with 1.5mm edging (for sloping edges desktops).

Grommets

- Lacquered and stained;
- 9mm MDF covered in ash wood veneer with painted edges.

Cable tray (included)

- Dimensions: 500x100, H=110mm;
- Matches the colour of frame.

GUARANTEE

- 5 years

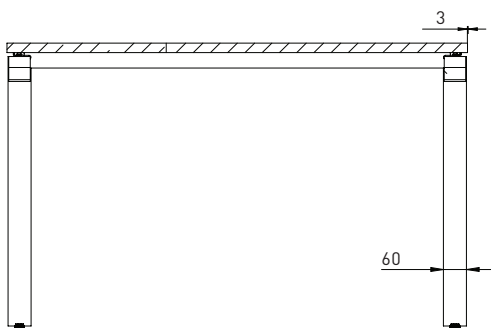


Table with melamine tabletop

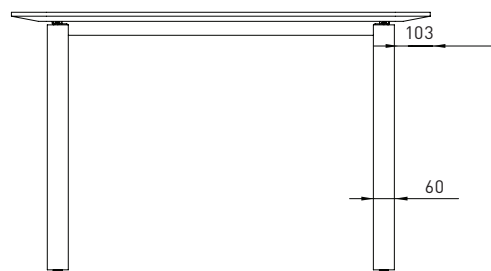
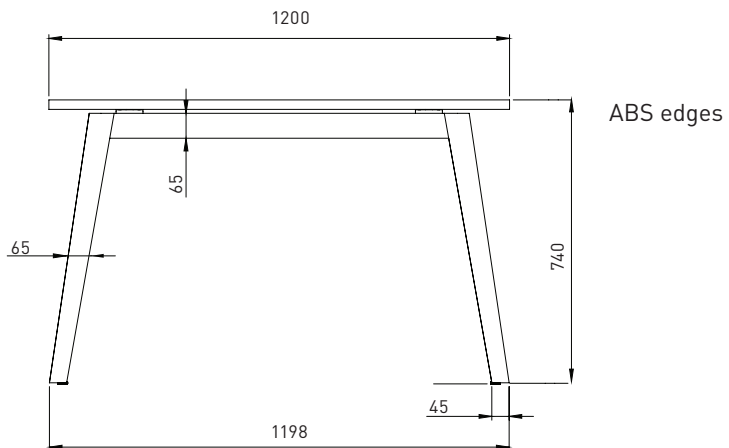
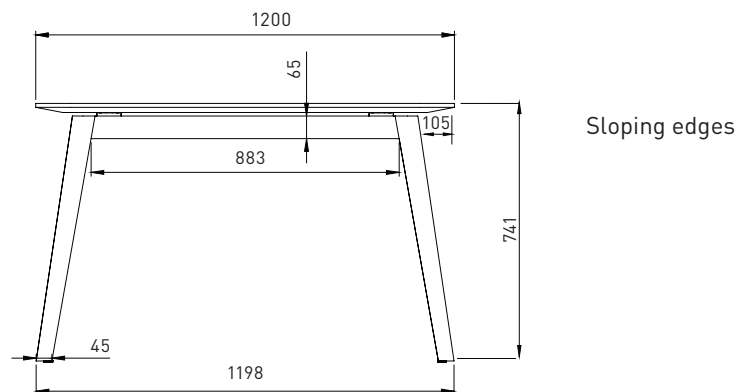
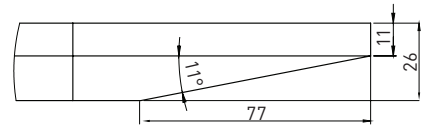
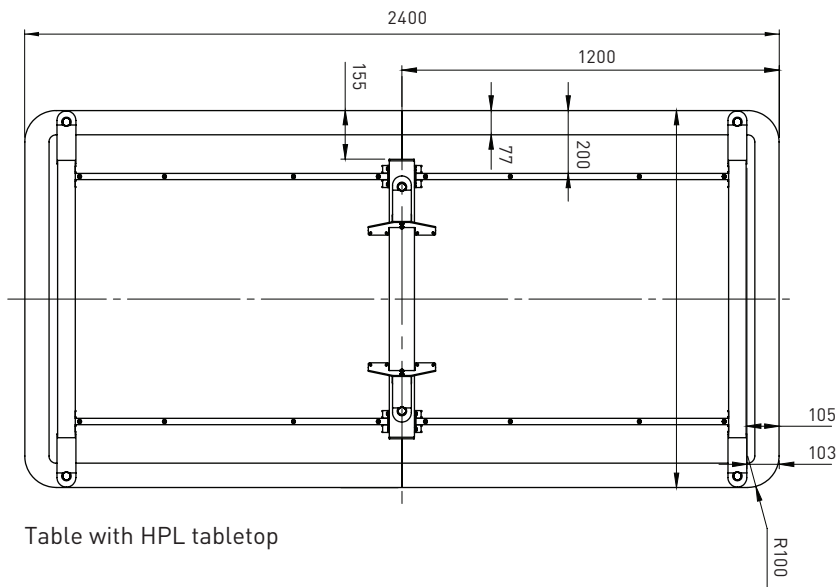


Table with HPL tabletop





Sloping edge

Table with HPL tabletop

RANGE

1200 x 1200 mm 1400 x 1400 mm	1600 x 1200 mm 1800 x 1200 mm 1600 x 1400 mm	2400 x 1000 mm 2400 x 1200 mm 2800 x 1200 mm	1200 x 1200 mm 1400 x 1400 mm	1600 x 1200 mm 1800 x 1200 mm 1600 x 1400 mm	2400 x 1200 mm 2800 x 1200 mm
1200 x 1200 mm 1400 x 1400 mm	1600 x 1200 mm 1800 x 1200 mm 1600 x 1400 mm	2400 x 1000 mm 2400 x 1200 mm 2800 x 1200 mm	1200 x 1200 mm 1400 x 1400 mm	1600 x 1200 mm 1800 x 1200 mm 1600 x 1400 mm	2400 x 1200 mm 2800 x 1200 mm

Meeting tables with melamine tabletop

1200 x 1200 mm 1400 x 1400 mm*	1600 x 1200 mm 1800 x 1200 mm 1600 x 1400 mm*	2400 x 1000 mm 2400 x 1200 mm 2800 x 1200 mm	1200 x 1200 mm 1400 x 1400 mm	1600 x 1200 mm 1800 x 1200 mm 1600 x 1400 mm	2400 x 1200 mm 2800 x 1200 mm
1200 x 1200 mm 1400 x 1400 mm*	1600 x 1200 mm 1800 x 1200 mm 1600 x 1400 mm*	2400 x 1000 mm 2400 x 1200 mm 2800 x 1200 mm	1200 x 1200 mm 1400 x 1400 mm	1600 x 1200 mm 1800 x 1200 mm 1600 x 1400 mm	2400 x 1200 mm 2800 x 1200 mm

Meeting tables with HPL tabletop

*Not available in HPL: H70B01 and H70B03



Coffee tables with melamine tabletop

Coffee tables with HPL tabletop

Optional



Power socket blocks



Cable clips



Cable ducts



Vertical metal cable tray (suitable only for central wood leg)